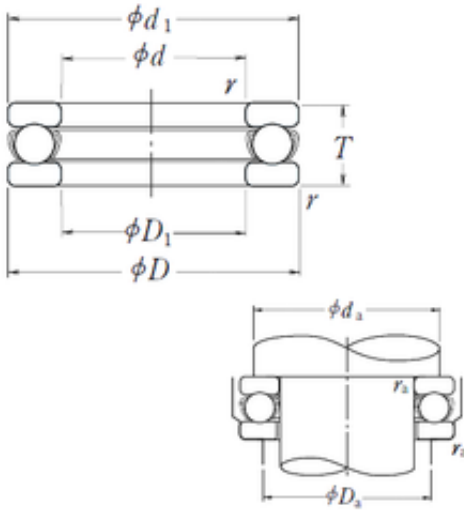




PCI BEARING EXPORTED LLC



NSK 51102 Bearing

Bearing No. 51102

Size	15x28x9 mm
Bore Diameter	15 mm
Outer Diameter	28 mm
Width	9 mm
d	15 mm
D	28 mm
T	9 mm
d1	28 mm
r min.	0,3 mm
D1	16 mm
da min.	23 mm
Da max.	20 mm
ra max.	0,3 mm
Weight	0,023 Kg
Basic dynamic load rating (C)	10,6 kN
Basic static load rating (C0)	16,8 kN
(Grease) Lubrication Speed	6300 r/min
Category	Thrust Ball Bearing
Inventory	0.0
Manufacturer Name	NSK
Minimum Buy Quantity	N/A
Weight / Kilogram	0.02
EAN	0029176026379
Product Group	B00308
Rolling Element	Ball Bearing
Thrust Bearing	Yes

51102 Bearing 2D drawings and 3D CAD models



PCI BEARING EXPORTED LLC

Single or Double Direction	Single Direction
Banded	No
Cage Material	Steel
Precision Class	Non-Precision
Component Description	Roller Assembly Plus Raceways
Other Features	Single Row With Flat Seat
Long Description	15MM Bore 1; 16MM Bore 2; 28MM Outside Diameter; 9MM Height; Ball Bearing; Single Direction; Not Banded; Steel Cage; Non-Precision
Inch - Metric	Metric
Category	Thrust Ball Bearings
UNSPSC	31171552
Harmonized Tariff Code	8482.10.50.08
Noun	Bearing
Keyword String	Ball Thrust
Manufacturer URL	http://www.nskamericas.com
Manufacturer Item Number	51102
Weight / LBS	0.05071
Bore 1	0.591 Inch 15 Millimeter
Outside Diameter	1.102 Inch 28 Millimeter
Bore 2	0.63 Inch 16 Millimeter
Height	0.354 Inch 9 Millimeter
Overall Height with Aligning Washer	0 Inch 0 Millimeter
bore diameter:	15 mm
static load capacity:	1710 kg
outside diameter:	28 mm
dynamic load capacity:	1080 kg
overall width:	9 mm



PCI BEARING EXPORTED LLC

operating temperature range:	Maximum of +120 ° C
thrust bearing type:	Single-Direction
maximum rpm:	9500 RPM
outside diameter design:	Straight
cage material:	Steel
separable or banded:	Separable
fillet radius:	0.3 mm
race type:	Flat
series:	511
precision rating:	ABEC 1 (ISO Class Normal)
SRI	2.6
hidYobi	51102
LangID	1
D_	28
SREX	0.03
C	10.6
B_	9
hidTable	ecat_NSSDTB
Oil rpm	9500
SRE	2.6
mass	0.023
GRS rpm	6300
ra	0.3
SRIX	0.03
D_a	20
SRIN	0
C0	16.8
SREN	0
D_1	16
Prod_Type3	TB_SD_WFS
da	23



PCI BEARING EXPORTED LLC

DA_	4.762
Z_	12
yobi	51102
SDM_	21.5
r	0.3
T_	9
KBRG	5111